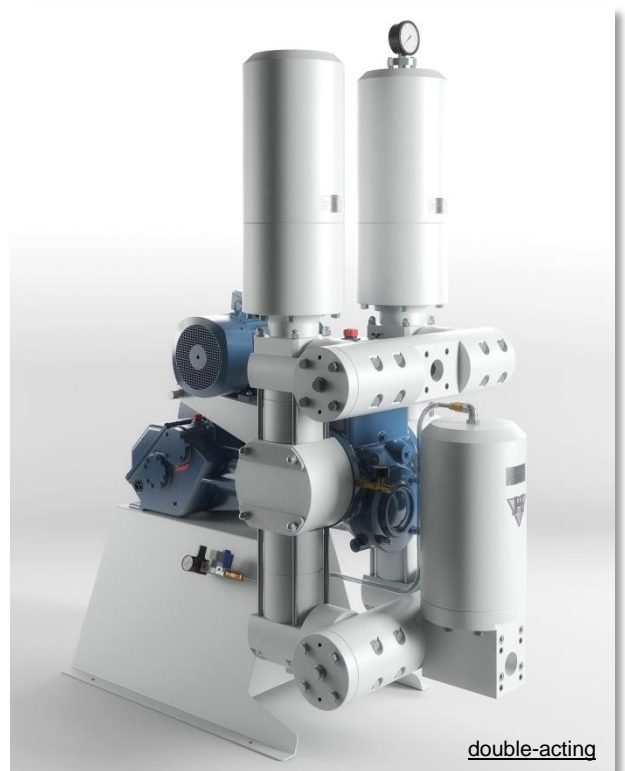


PISTON DIAPHRAGM PUMPS

model "ER-NPPH"

- ▼ **Materials:**
Polypropylene
- ▼ **Capacities:**
0,5 ... 25 m³/h
- ▼ **Pressure:**
1,6 MPa (16 bar) as standard design,
higher pressures acc. project requirements
- ▼ **Temperature of pumped material:**
Up to 80°C,
higher temperatures on demand
- ▼ **Field of application:**
Pumping of abrasive and aggressive materials. Very gentle pumping of materials sensitive to shear
- ▼ **Remark:**
The well-tried „ER“-model
(**E**conomical-**o**ptimized-**R**oller-**D**iaphragm!)!
An especially compact constructed pump, with profitable efficiency.
- ▼ **Constructional features:**
 - Electrically driven modular Piston Diaphragm Pump
 - Pump head made of polypropylene
 - Pulsation dampener for continuous flow
 - Double diaphragm
 - Internal adjustment of pressure and quantity in dependence to the discharge pressure
 - Compact diaphragm casing with reduced clearance volume



[m ³ /h]	0,5	1	1,5	2	2,5	3	4	5	6	8	10	12	15	20	25	30	40	50	65	
	single-acting ER521NPPH									double-acting ER528NPPH										
	single-acting ER511NPPH						double-acting ER520NPPH													
	single-acting ER501NPPH				double-acting ER510NPPH															
	single-acting ER491NPPH																			